

6

5

4

3

2

1

D

D

C

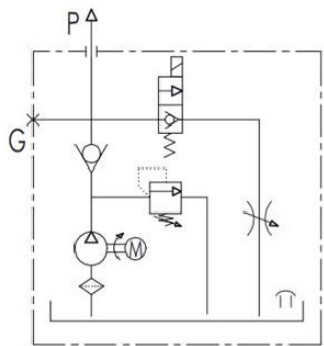
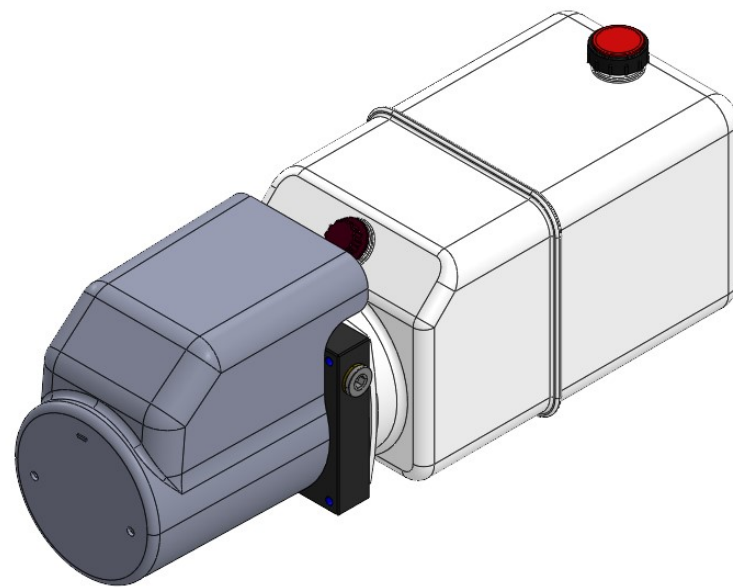
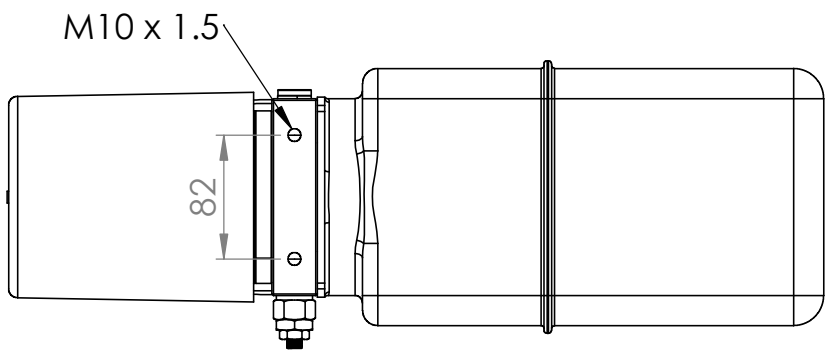
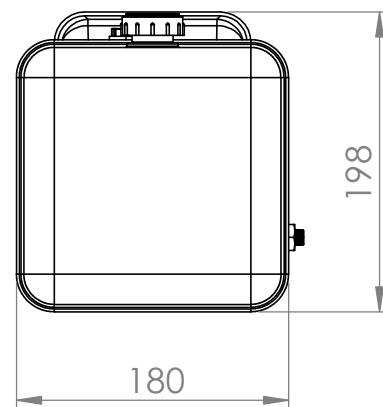
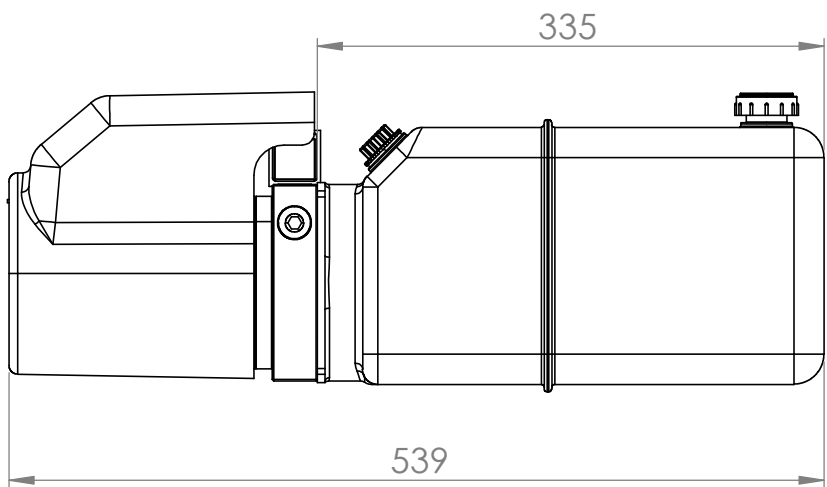
C

B

B

A

A



DC12/24V 1.6KW 2500RPM PUMP - 2.1CC TANK - 8LTR PORT SIZE - 3/8" BSP	
DWG NO. <b>ZZ003834/3835</b>	A4
SCALE 1:5	SHEET 1 OF 1

6

5

4

3

2

1